



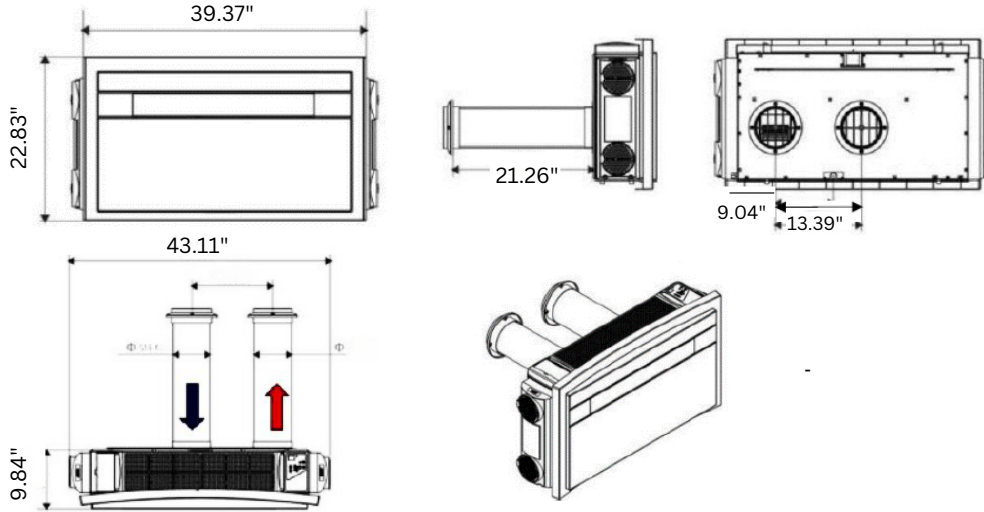
Mits Air™ Through the Wall Heat Pump & Fresh Air Intake

All-in-One Solution for Heating, Air Conditioning & Fresh Air Intake



- ✓ Heating, air conditioning, and fresh air intake
- ✓ For residential or commercial applications
- ✓ No need for an outdoor unit
- ✓ Modern & attractive aesthetic
- ✓ 2 KW of electric back-up heat
- ✓ Low noise, low maintenance
- ✓ Eco Mode saves energy when windows/doors are open

DIMENSIONS



TECHNICAL DATA

Model	MITSWZ28EC
Cooling capacity	8881Bth/h, 2603W
Heating capacity	7895Bth/h, 2314W
Electric heater capacity	6824Bth/h, 2000W
Power input in cooling (W)	675
Power input in heating (W)	689
Power input for electric heater (W)	2000
EER (Btu/w)	13.16
COP (Btu/w)	11.46
Air flow	253 CFM / 430 m ³ /h
Fan speed setting	3+Auto
Dehumidification capacity (L/24h)	23.8
Noise level indoor dB(A)	48
Noise level outdoor dB(A)	58
Power supply (V/Ph/Hz)	208/230/1/60
Refrigerant type	R32
Refrigerant charged	16.6 oz / 470 g
Dimension HxWxD	22.8x43.1x9.6 inch / 580x1095x245 mm
Weight	114.6 lb / 52 kg
Inlet/Outlet hole diameter	6.4 inch / 162 mm
Fresh air pipe diameter	2 inch / 50 mm

*All testing and values are per Manufacturer's testing and subject to change without notice.
Standard Test Operating Conditions in Cooling & Dehumidification Mode:
 ❖ Inside: 26.7°C DB: 19.4°C WB
 ❖ Outside: 35°C DB: 23.9°C WB
Standard Test Operating Conditions in Heating Mode:
 ❖ Inside 8.3°C DB: 6.1°C WB
 ❖ Outside 21.1°C DB: 15.6°C WB

WARRANTY:
 3 years compressor, 1 year parts.
 All warranty is active from date of installation. Labour Warranty is the responsibility of the Installing Contractor.

*To register warranty on equipment, go to www.mitsair.com/warranty-registration

CONTACT YOUR LOCAL DEALER TODAY

Distributed By:



www.mitsair.com